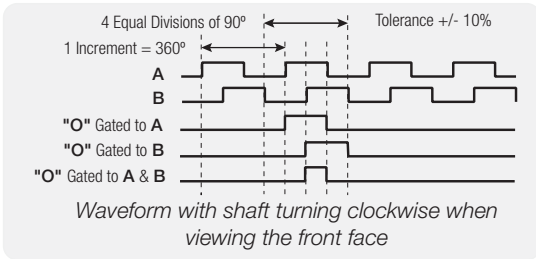


# INHE Series

## Incremental Through Hollow Shaft Encoder

Maximum Increments ..... 65,536

Shaft Hole Diameter ..... 06 to 15mm



### MECHANICAL SPECIFICATIONS

RPM ..... Max. 9000  
 Torque ..... 0.6 Ncm  
 Loading ... Designed to support its own weight  
 Weight ..... 200g  
 Temperature . . . . . -20°C to +100°C

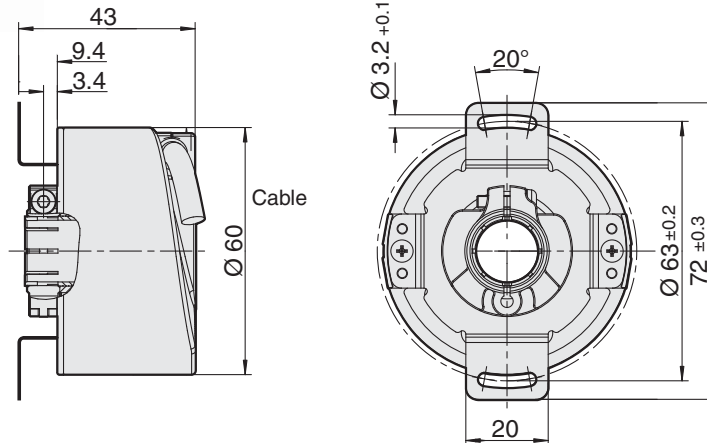
### ELECTRICAL

Current consumption ..... Max. 60mA  
 Signal frequency . . . . . 600kHz  
 Switching load - Short circuit protected . . . . 40mA

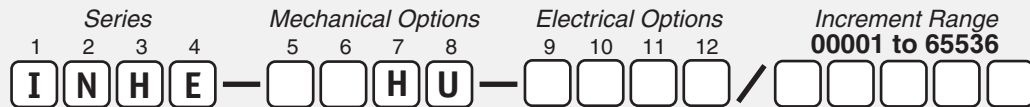


Function	Plug Pin	Wire
0 Volts	1	Blue
+ Volts	2	Red
A	3	White
B	4	Pink
O	5	Purple
A	6	Brown
B	7	Black
O	8	Yellow

Minimum shaft length required for reliable fixing 15mm



### Part Number Selection Guide



**Stainless Steel Shaft Hole**  
 Shaft Hole . . . . . 15mm  
 Reducing Bush .. 6, 8, 10, 11, 12, 14mm

**Housing Material**  
 IP65 Aluminium ..... H

**Wiring Entry**  
 Universal . . . . . U  
 Both Side and Rear

**Wiring Method**  
 Cable 2 Metres ..... 2  
 Cable 5 Metres ..... 3  
 Cable - Custom Length .. 4

**Voltage & Output Type**  
 5 Volt Out - 5 to 30V In .... E  
 5-30 Volt - Push Pull . . . . M

**Output Options**  
 "O" Gated with A ..... B  
 "O" Gated with B ..... C  
 "O" Gated with A and B... D  
 Normally delivered as "D"

**Output Channels**  
 A, B, O, A, B, O ..... 7

made in Germany  
 Sold and serviced in Australia by **PCA**