

INHQ Series

Incremental Hollow Shaft Encoder

Maximum Increments 50,000

Hole Diameter Range 65 to 100mm

MECHANICAL SPECIFICATIONS

RPM Max. 4000
 Torque > .2 Nm
 Loading Axial 60N, Radial 80N
 Weight Aluminium 980g
 Temperature -20°C to +70°C

ELECTRICAL

Current consumption Max. 40mA
 Signal frequency 300kHz
 Switching load - Short circuit protected 40mA

FEATURES

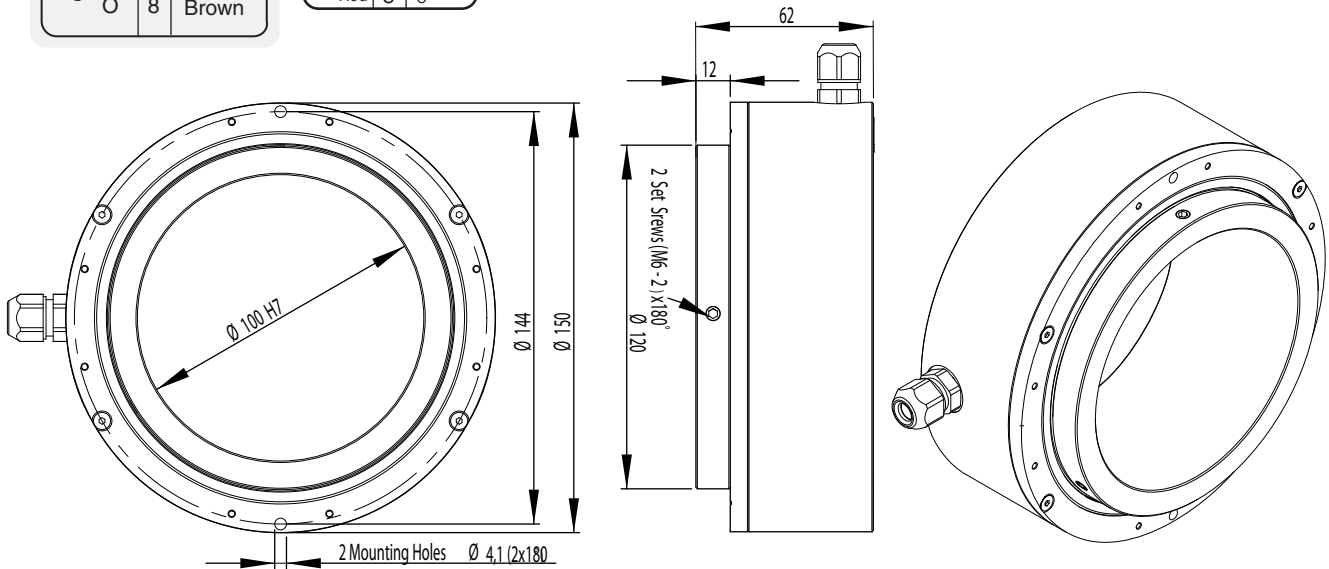
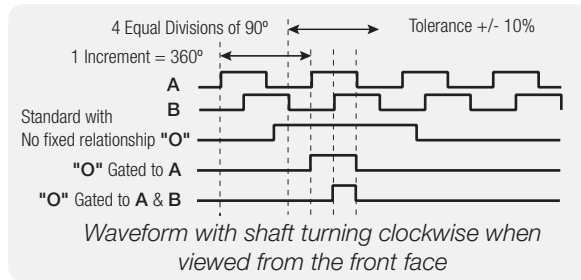
The INHQ industrial encoders are designed for mounting directly onto the drive shaft of motors and other rotary shafts. The hollow shaft system eliminates the necessity for most additional fixing hardware, such as flexible couplings, drive belts and mounting plates or brackets.

To mount a hollow shaft encoder simply slide the encoder onto the drive shaft, tighten the set screws and attach a simple torsion arm to prevent the encoder body from rotating.

PCA AUS		Plug Pin	Wire
Function			
0 Volts	1	Black	
+ Volts	2	Red	
A	3	White	
B	4	Blue	
O	5	Yellow	
A	6	Green	
B	7	Violet	
O	8	Brown	

W+S		Plug Pin	Wire
Wire			
White	1	0 Volts	
Brown	2	+ Volts	
Green	3	A	
Yellow	4	B	
Gray	5	O	
Pink	6	A	
Blue	7	B	
Red	8	O	

Alternate German Wiring for some encoders not made in Australia



Part Number Selection Guide

Series	Mechanical Options	Electrical Options	Increment Range
1 2 3 4	5 6 7 8	9 10 11 12	00001 to 50000
I N H Q	G S	/	
Aluminium Shaft Hole Hole 65 to 100mm	Housing Material IP54 Aluminium G	Wiring Method Cable 2 Metres 2 Cable 5 Metres 3 Cable - Custom Length .. 4 # Plug 9 Pin D Type H Plug 12 Pin Metal L #IP54 Only	Wiring Entry Side or Radial S
		Voltage & Output Type 5 Volt Line Driver 1 8-30 Volt - Push Pull M	Output Options Standard NO gating..... A
			Output Channels A, B, O 3 A, B, O, A, B, O 7

A product of the world wide GESgroup made by W+S Germany
 Sold and serviced in Australia by PCA