

INSF Series

Incremental Shaft Encoder

Maximum Increments 25,000

Shaft Diameters 6, 10 or 12mm

MECHANICAL SPECIFICATIONS

Maximum RPM 8000
 Torque >0.05Nm
 Loading Axial 40N, Radial 30N
 Weight 320g
 Temperature -20°C to +70°C

FEATURES

The INSF encoders are suitable for most industrial applications. This series can be built with up to 25,000 A B phase signals. When used with appropriate circuitry, 25,000 can deliver 100,000 processed signals per revolution.

A range of mounting accessories are also available, refer to the Accessories and Couplings data sheets for full details. NOTE: A flexible coupling must always be used to attach the encoder to the drive shaft.

ELECTRICAL

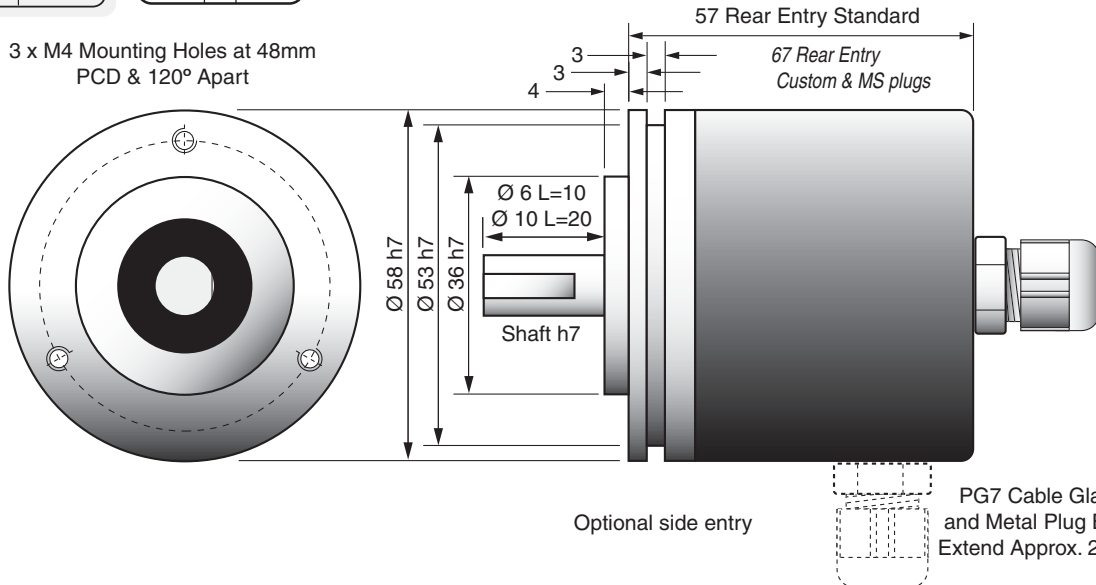
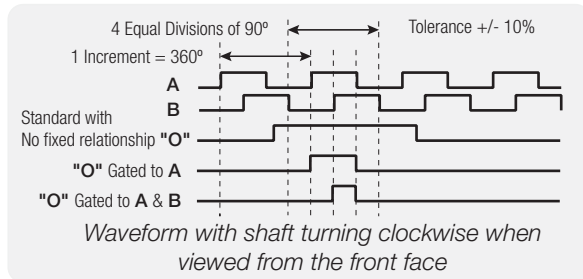
Current Consumption 40mA
 Maximum output signal frequency 300kHz

NOTE: Short circuit protection on all wires

PCA ^{AUS}		Plug Pin	Wire
Function	1	Black	0 Volts
Output Signals	2	Red	+ Volts
A	3	White	A
B	4	Blue	B
O	5	Yellow	O
A	6	Green	A
B	7	Violet	B
O	8	Brown	O

W+S		Plug Pin	Wire
Function	1	White	0 Volts
Output Signals	2	Brown	+ Volts
A	3	Green	A
B	4	Yellow	B
O	5	Gray	O
A	6	Pink	A
B	7	Blue	B
O	8	Red	O

Alternate German Wiring for some encoders not made in Australia



Part Number Selection Guide

Series	Mechanical Options	Electrical Options	Increment Range
1 2 3 4	5 6 7 8	9 10 11 12	00001 to 25000
I N S F	— [] [] H []	— [] [] A []	/ [] [] [] []
Stainless Shaft Shaft 06, 10 or 12mm	Housing Material IP65 Aluminium H	Wiring Entry Rear or Axial R Side or Radial S	Voltage & Output Type 5 Volt Line Driver 1 8 to 30 - Push Pull M
Wiring Method Cable 2 Meters 2 Cable 5 Meters 3 Cable - Custom Length .. 4 Plug 4 Pin Plastic A Plug 12 Pin Metal L	Output Options Standard NO gating..... A	Output Channels A, B (4 Pin Plug only) 2 A, B, O 3 A, B, O, A, B, O 7	

A product of the world wide **GES** group
 made by W+S Germany
 ASSEMBLED and serviced in Australia by **PCA**