



Encoder Couplings Series : **CST | COL | CBR | CJW | CDL**

Description

Couplings are used to attach an encoders solid shaft to the driven shaft. The incorrect coupling selection may affect the accuracy or durability in an application. If you are uncertain please consult PCA's engineers to advise.

CST - Standard Type Couplings



Hub Zinc; Coupling Polyurethane
Low Cost

	Hub Hole IN - mm	Hub Hole OUT - mm	Outer Diameter - mm	Length - mm	Rated Torque - N.m	Weight - g	Static Stiffness - N.m/rad	Max Eccentricity - mm	Max Angularity	Max End Play - mm
CST16 - 06x06	6	6	16	27	0.5	22	3	0.2	2	Nil
CST20 - 10x10	10	10	20	34	1.0	43	9	0.2	2	Nil
CST25 - 12x12	12	12	25	41	1.5	84	12	0.2	2	Nil

COL - Oldham Type



Hub Aluminium; Coupling Polyacetal
Corrects shaft misalignment

COL16 - 06x03	6	3	16	18	0.7	7	31	1.0	3	Nil
COL16 - 06x06	6	6	16	18	0.7	7	31	1.0	3	Nil
COL25 - 10x05	10	5	25	28	2.0	28	140	2.0	3	Nil
COL25 - 10x10	10	10	25	28	2.0	28	140	2.0	3	Nil
COL32 - 12x08	12	8	32	33	4.5	55	280	2.5	3	Nil
COL32 - 12x12	12	12	32	33	4.5	55	280	2.5	3	Nil

CBR - Bellows Type



CBR; Hub Aluminium; Bellows - Bronze
(CSS all Stainless Steel)
Zero Backlash

Bronze										
CBR16 - 06x06	6	6	16	26.5	0.5	10	110	0.1	1.5	+0.4/-1.2
CBR20 - 10x10	10	10	20	32	0.8	20	180	0.15	2	+0.6/-1.8
CBR25 - 12x12	12	12	25	36.5	1.3	35	240	0.15	2	+0.6/-1.8
All Stainless Steel										
CSS16 - 06x06	6	6	16	26.5	1.0	25	150	0.1	1.5	+0.4/-1.2
CSS20 - 10x10	10	10	20	32	1.5	45	220	0.15	2	+0.6/-1.8
CSS25 - 10x10	10	10	25	36.5	2.0	73	330	0.15	2	+0.6/-1.8
CSS25 - 12x12	12	12	25	36.5	2.0	73	330	0.15	2	+0.6/-1.8



Encoder Couplings

Series : **CST | COL | CBR | CJW | CDL**

CJW - Jaw Type (with Clamp)



Red Sleeve
Greater Stiffness

Green Sleeve
Greater Flex

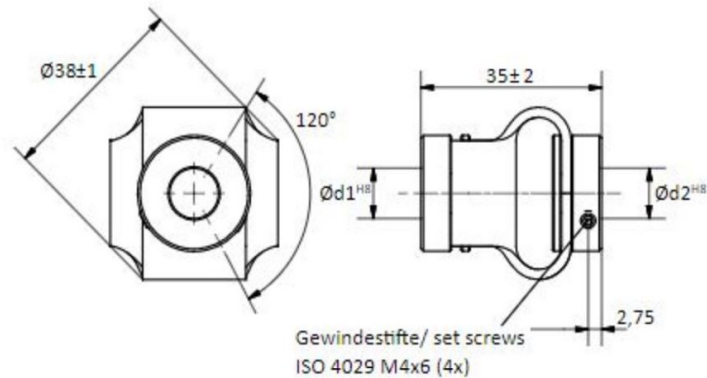
Hub Aluminium; Sleeve- Polyurethane
High Torque, Electrical Isolation
Good Vibration absorption

	Hub Hole IN - mm	Hub Hole OUT - mm	Outer Diameter- mm	Length - mm	Rated Torque - N.m	Weight - g	Static Stiffness - N.m/rad	Max Eccentricity - mm	Max Angularity
CJW30 - 15x10C -RD	15	10	30	35	12.5	44	130	0.08	1
CJW30 - 15x10C -GR	15	10	30	35	16	44	200	0.08	1

CDL - Double Loop Type



Stainless Steel Hub, Polyurethane body
High Shock and Vibration Resistance,
Shaft misalignment & Axial movement



Part Number	Hub Bore Input - mm	Hub Bore Output - mm	Outer Diameter- mm	Body Length - mm	Torque - N.m	Weight - g	Torsion Stiffness- N.m/rad	Radial Stiffness- N.m/rad	Max Speed - RPM	Mass moment of Inertia- kg.cm ²
CDL38-10x10	10	10	38	35	1.5	50	25	15	3000	0.1
CDL38-10x9.5	10	9.5 (3/8")	38	35	1.5	50	25	15	3000	0.1
CDL38-10x08	10	8	38	35	1.5	50	25	15	3000	0.1
CDL38-10x12.7	10	12.7(1/2")	38	35	1.5	50	25	15	3000	0.1
CDL38-10x12	10	12	38	35	1.5	50	25	15	3000	0.1
CDL38-12x12	12	12	38	35	1.5	50	25	15	3000	0.1