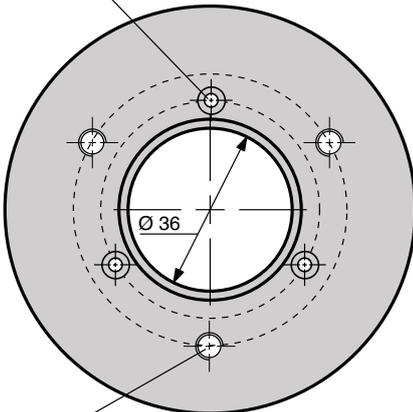


Encoder Flanges Series : **AF58** | **AF70** | **AF90**

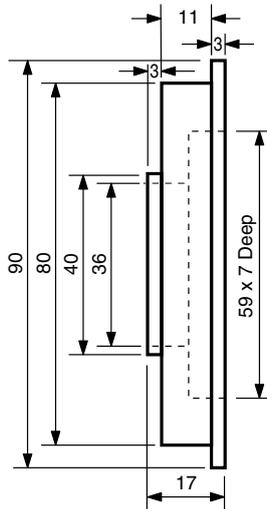
**58mm to 90mm Adaptor Flange**

Part Number: **AF58-90-AL**

3 x 3mm holes at 48 PCD  
Countersink to 6mm Dia.



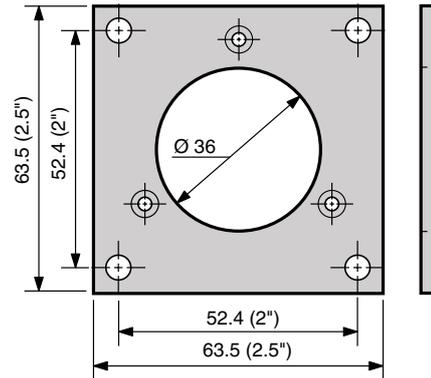
3 x M6 at 60 PCD 6mm Deep



**58mm to 2.5" Square (USA Type) Flange**

Part Number: **AF58-63x63**

Mounting Holes  
4 x 5.5 Dia  
Aluminium Plate  
3mm Thick

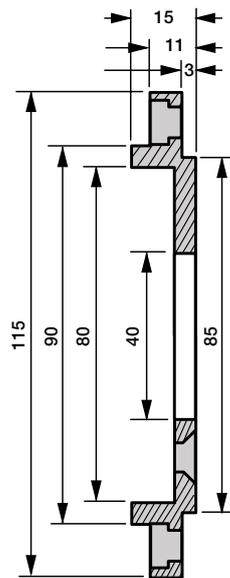
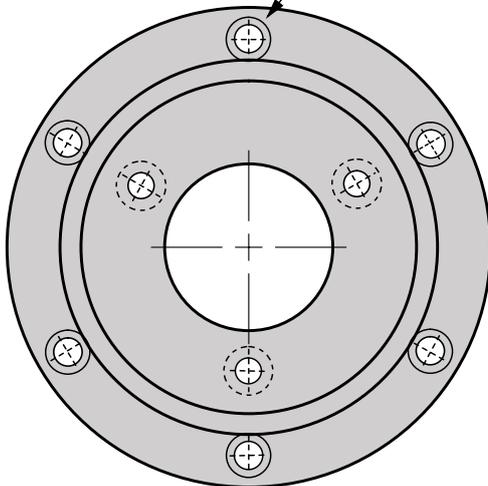


**58mm to Servo Ring Adaptor**

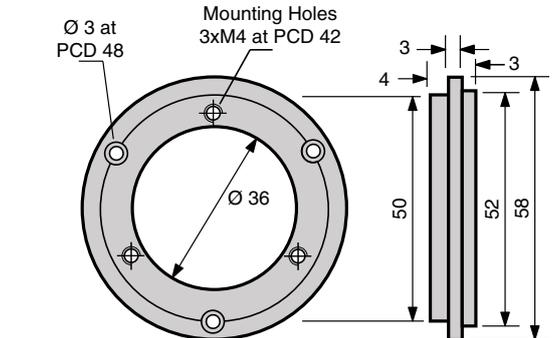
Part Number: **AF58-E**

Mounting holes  
6.5mm Dia at 100mm PCD

**REO Flange**  
Part Number: **AF90-REO**



3 x M6 Mounting Holes 10 Deep  
at 60mm PCD & 120° Apart



*These flanges provide a mounting adaptation to allow our 58mm and 90mm diameter encoders to replace a wide range of other encoder housings.*

PART No: **AF70-90**

Optional types:

**AF70-90-AL** = Anodized aluminium

**AF70-90-SS** = Stainless Steel

This flange is used in conjunction with the 70mm diameter INSH or IPSH Series encoders, to make an INSL or IPSL 90mm diameter series encoder.

