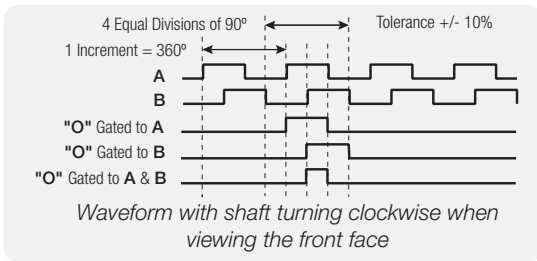


INSE Series

Incremental Shaft Encoder

Maximum Increments 65,536

Shaft Diameter 06mm



MECHANICAL SPECIFICATIONS

RPM Max. 9000

Torque 0.6 Ncm

Loading radial 80N

Loading axial 40N

Weight 300g

Temperature -20°C to +100°C

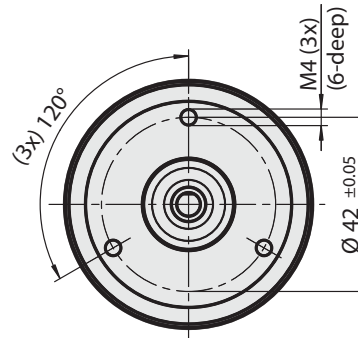
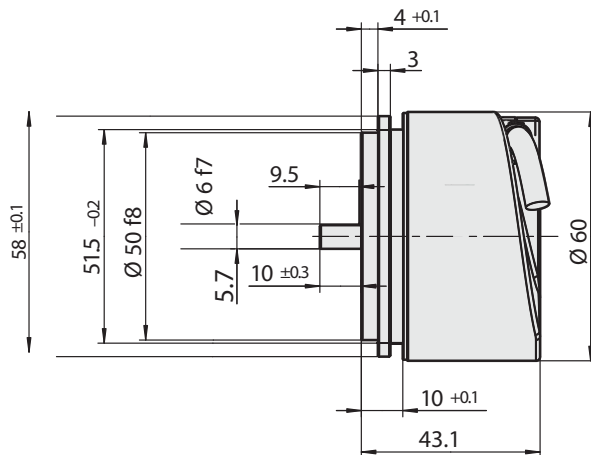
ELECTRICAL

Current consumption Max. 60mA

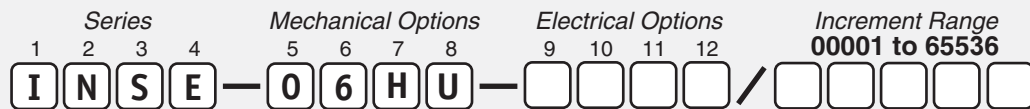
Signal frequency 600kHz

Switching load - Short circuit protected 40mA

| Function | Plug Pin | Wire |
|------------------|----------|--------|
| 0 Volts | 1 | Blue |
| + Volts | 2 | Red |
| Output Signals A | 3 | White |
| B | 4 | Pink |
| O | 5 | Purple |
| A | 6 | Brown |
| B | 7 | Black |
| O | 8 | Yellow |



Part Number Selection Guide



Stainless Steel Shaft Hole
 Shaft 06mm

Housing Material
 IP65 Aluminium H

Wiring Entry
 Universal U
 Both Side and Rear

Wiring Method
 Cable 2 Metres 2
 Cable 5 Metres 3
 Cable - Custom Length . . 4

Voltage & Output Type
 5 Volt Out - 5 to 30V In E
 5-30 Volt - Push Pull M

Output Options
 "O" Gated with A B
 "O" Gated with B C
 "O" Gated with A and B D
 Normally delivered as "D"

Output Channels
 A, B, O, A, B, O 7

made in Germany
 Sold and serviced in Australia by **PCA**