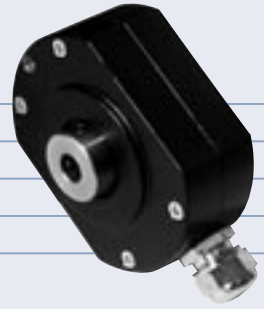


# IH 510

INCREMENTAL HOLLOW SHAFT ENCODER

Compact Construction  
 Shaft Mounted  
 1250 PPR Maximum  
 4.75 to 30 Volts, RS 422 Compatible  
 200 kHz Maximum Frequency



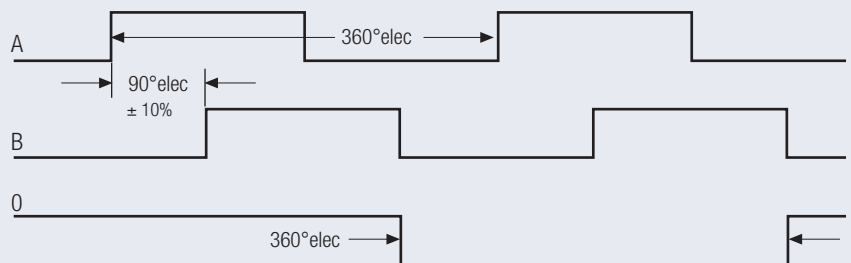
## ELECTRICAL SPECIFICATIONS

Supply Voltage	4.75-30 V DC
Current Consumption	40 mA (max)
Output Circuit	Push-Pull, RS 422A
Impulse Frequency	200 kHz (max)
Logic Level (high)	Vcc - 0.7 Volt
Logic Level (low)	0.25 Volt (max)
Short Circuit Protection	100 %

## MECHANICAL SPECIFICATIONS

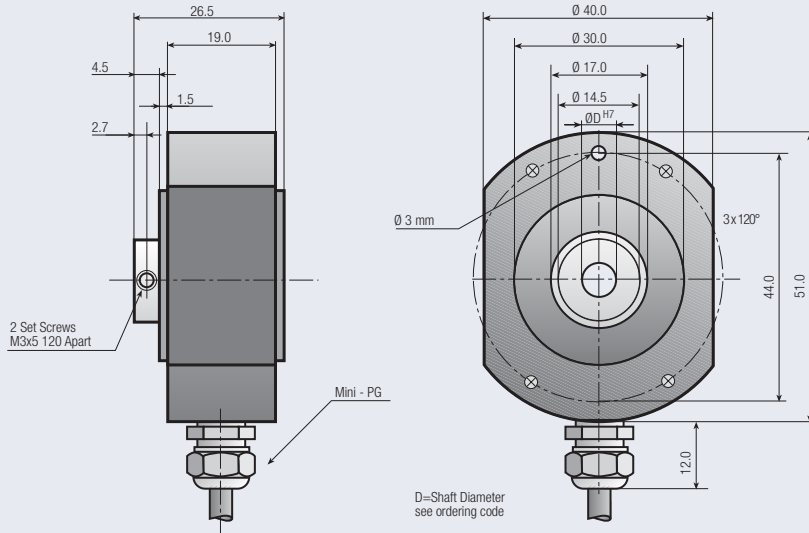
Cover	Aluminium
Body	Aluminium
Shaft	Stainless Steel
Speed	6000 RPM (max)
Torque	> 0.04 Nm
Loading	Axial 20 N, Radial 15 N
Protection	IP 65
Temperature	-20°...+70° C (-4°...+158° F)
Weight	0.29 lb (130 g)

## OUTPUT SIGNALS



A Leads B in the CW Direction (facing shaft)  
 Complimentary channel also available

Drawing available as:  
dxf, iges, step, sld file



ORDERING CODE

**IH** **510** -          -

a      b      c      d      e      f      g      h      Pulses Per Revolution

- a **Group Function**  
IH=Incremental Hollow Shaft
- b **Basic Series Number**  
510
- c **Shaft Size D**  
06=6 mm  
AA=1/4"
- d **Mechanical Options**  
0=None

- e **Connector Type**  
0=2 mtr. (6ft.) Cable
- f **Connector Location**  
R=Radial
- g **Output Signals**  
3=A+B+0  
6=A+B+0+Compliments
- h **Output Circuit Type**  
3=Push Pull 4.75 to 30 VDC

**Note:** Special functions and designs will be designated by a 4 digit code at the end of the part number. Consult factory for further details

CONNECTIONS

Function	Cable Colour Code
0 Volt	white
+ Volt	brown
A	green
B	yellow
0	grey
$\bar{A}$	pink
$\bar{B}$	blue
$\bar{0}$	red