



Accessories

EX34000006- Ex-Proof Blind Plug- M20x1.5 Brass



General Data

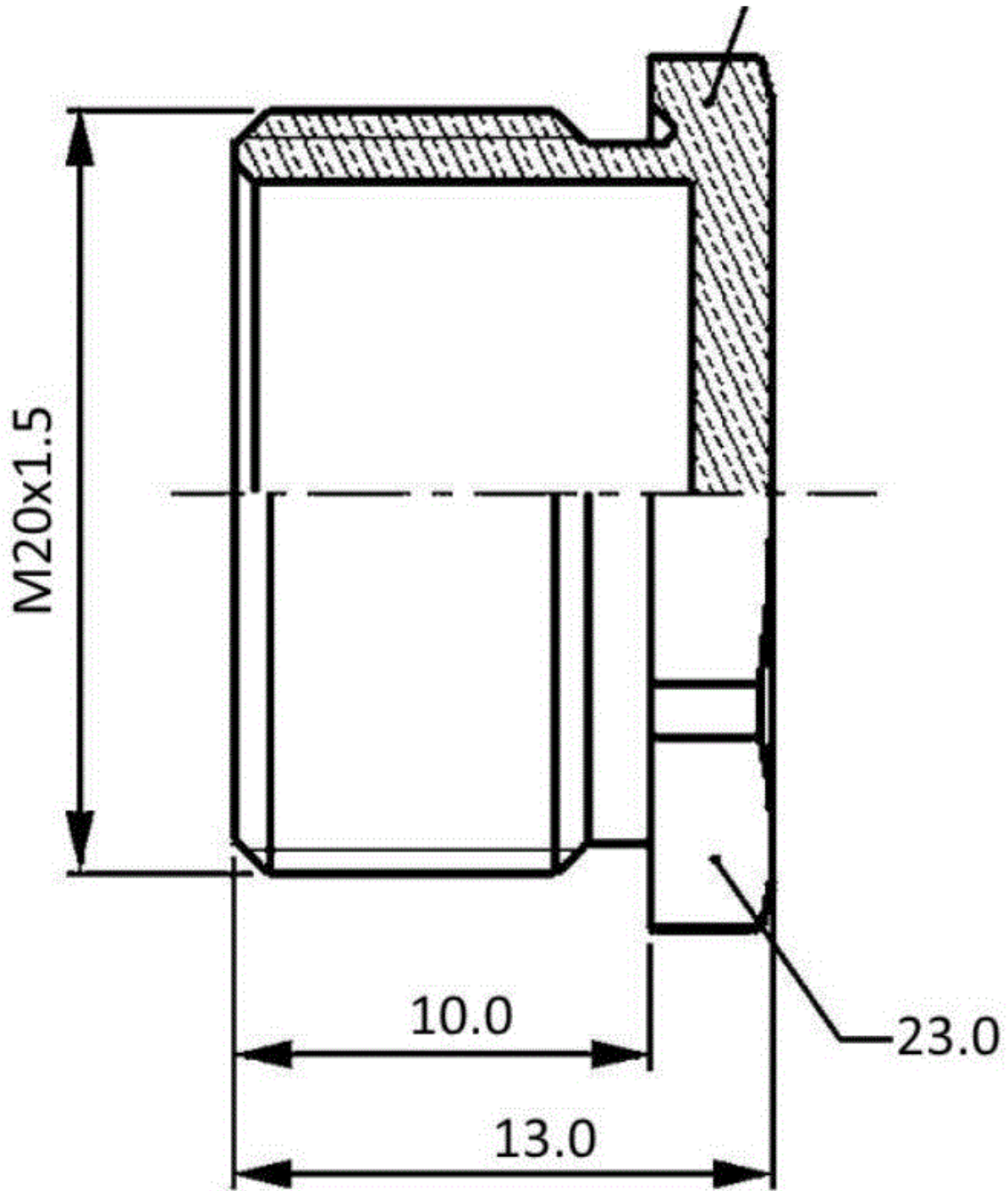
Intro	Zone 1+21, Zone 2+22
Material	Brass

Mechanical Data

Operating Temperature	-40°C to 100°C/-40°F to 212°F
-----------------------	-------------------------------

Characteristics of Head 1

Standards/Regulations	M20x1.5
Degree of Protection	IP68
Fixing Torque	10 Nm
Certificates	II 2G Ex eb IIC, II 2D Ex tb IIIC IP 68



Contact



Contact Us

All dimension in [inch] mm. This drawing and the information contained is for general presentation purposes only. Please refer to the "Download" section for detailed technical drawings. © FRABA B.V., All rights reserved. We do not assume responsibility for technical inaccuracies or omissions. Specifications are subject to change without notice.